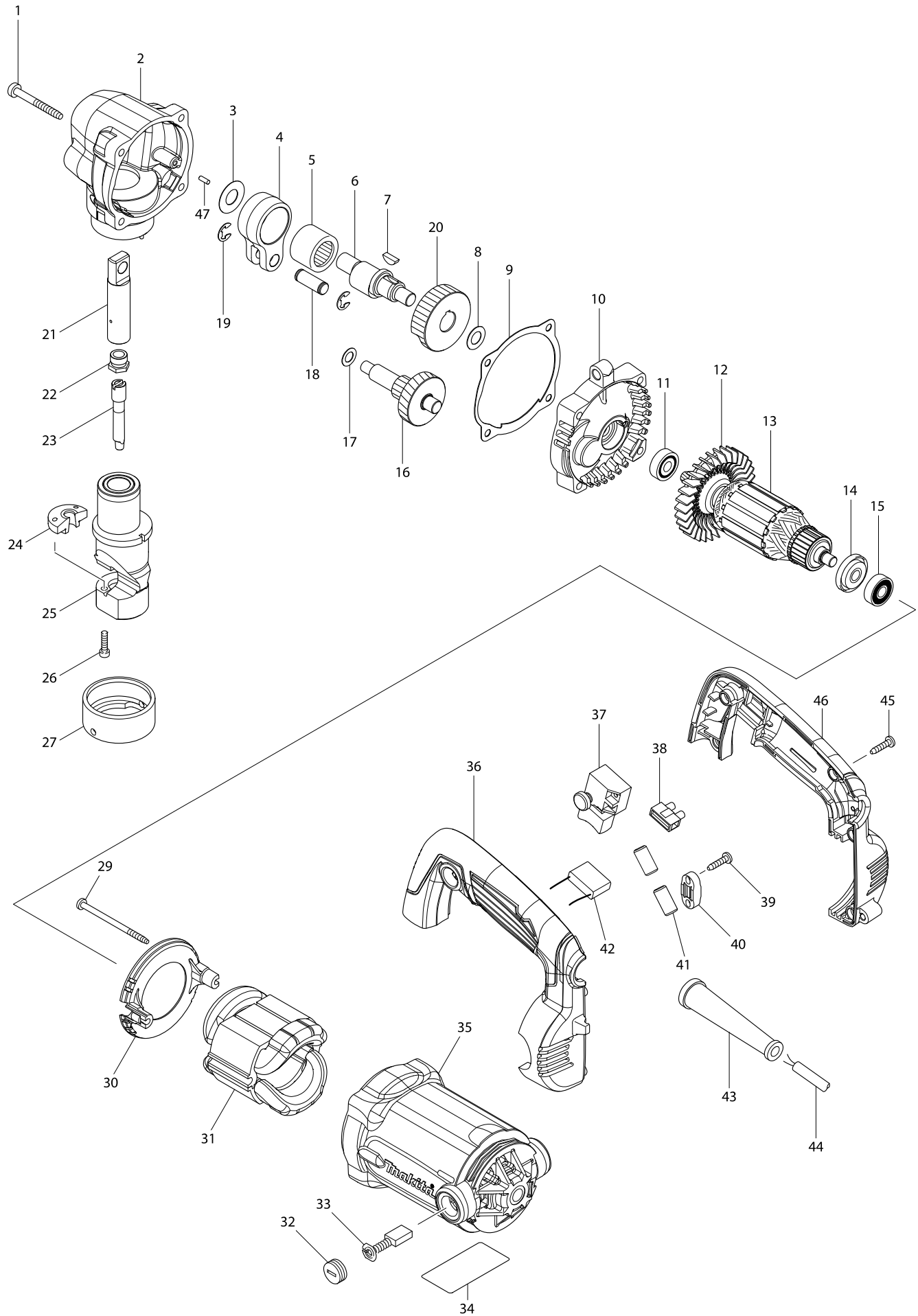


Model No. JN3201 3.2MM NIBBLER



Model No. JN3201 3.2MM NIBBLER

Item	Parts No.	Description	I/C	Qty	N/O	Opt. 1	Opt. 2	Note
001	266056-5	TAPPING SCREW 5X45		4				
002	141797-3	GEAR HOUSING COMPLETE		1				
C10	800S41-8	INDICATION LABEL		1				
003	253759-0	FLAT WASHER 12		1				
004	331167-6	ROD		1				
005	212306-6	NEEDLE BEARING 2020		1				
006	321408-8	CRANK SHAFT		1				
007	254001-2	WOODRUFF KEY 4		1				
008	253758-2	FLAT WASHER 10		1				
009	442186-8	GASKET		1	*			
009-1	442186-8	GASKET	O	1				
010	141796-5	GEAR HOUSING COVER COMPLETE		1				
C10	263002-9	RUBBER PIN 4		1				
011	211031-6	BALL BEARING 608LLB		1				
012	240094-5	FAN 70		1				
013	513859-1	ARMATURE ASS'Y 240V		1				
D10		INC. 11,12,14,15						
014	681644-1	INSULATION WASHER		1				
015	210029-0	BALL BEARING 608ZZ		1				
016	226060-6	GEAR COMPLETE 15-46		1				
017	253215-0	FLAT WASHER 8		1				
018	321418-5	PIN 9		1				
019	961013-5	STOP RING E-7		2				
020	221880-3	SPUR GEAR 44		1				
021	152486-5	PUNCH HOLDER COMPLETE		1				
022	321406-2	SCREW		1				
023	792728-1	PUNCH		1				
024	792292-2	DIE		1				
025	152176-0	DICE HOLDER COMPLETE		1				
026	922127-5	HEX. SOCKET HEAD BOLT M4X16		2				
027	321415-1	LOCK NUT		1				
029	266340-8	TAPPING SCREW 4X65		2				
030	454140-0	BAFFLE PLATE		1				
031	525869-6	FIELD ASS'Y 240V		1				
C10	654020-2	RING TERMINAL		2				
C20	654501-6	CONNECTOR P-1.25		2				
032	643750-0	BRUSH HOLDER CAP 7-11		2				
033	191963-2	CARBON BRUSH CB-303		1				
034	814C94-5	JN3201 NAME PLATE		1				
035	158278-0	MOTOR HOUSING COMPLETE		1				
C10	643708-9	BRUSH HOLDER 5-11		2				
036	187532-5	HANDLE SET		1				
D10		INC. 46						
037	651284-9	SWITCH SGEL115CDY-6		1				
038	654532-5	TERMINAL BLOCK 1P		1				
039	266326-2	TAPPING SCREW 4X18		2				
040	687052-4	STRAIN RELIEF		1				
041	688172-7	LINE FILTER		2				

